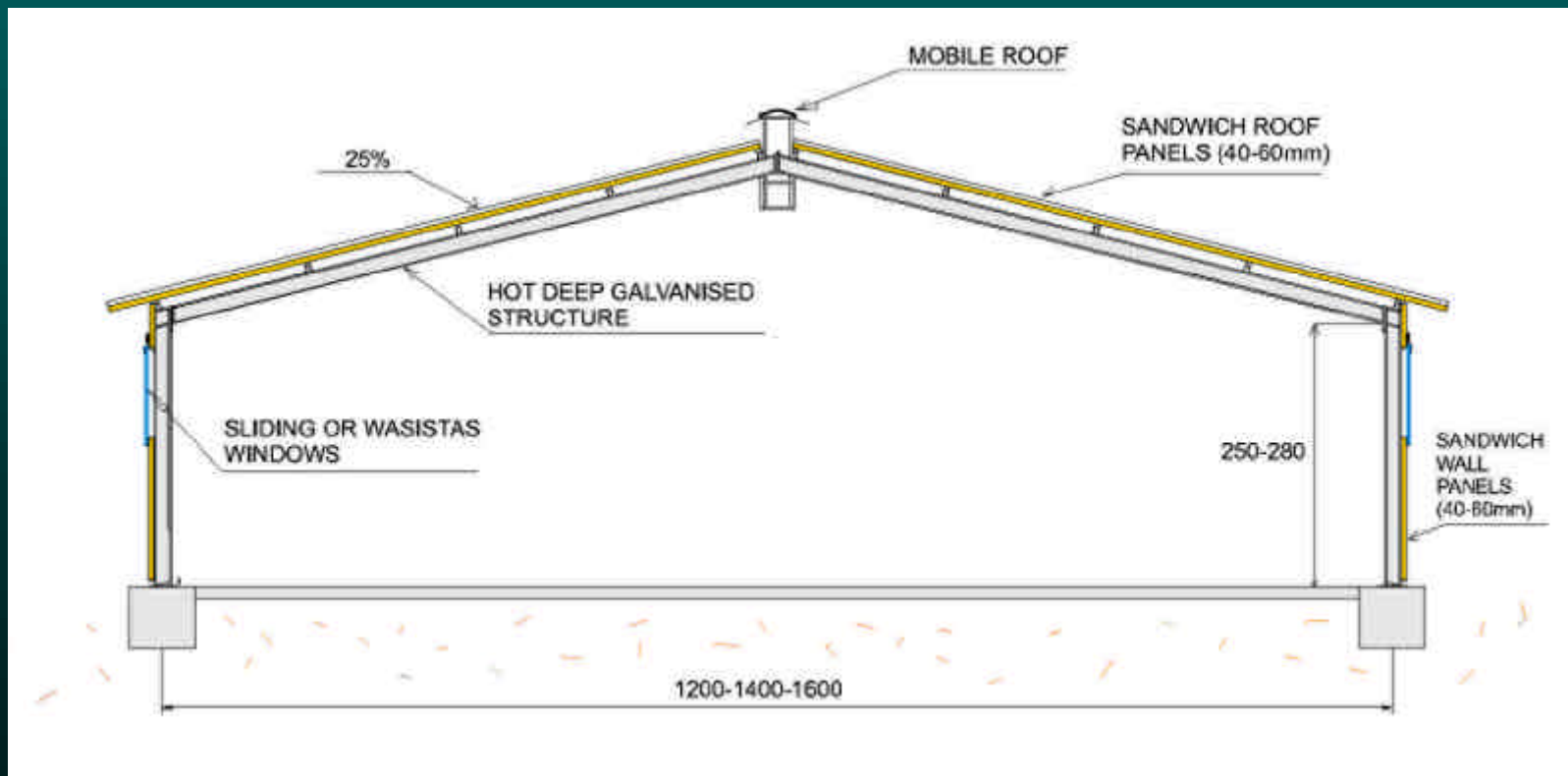


CONVENTIONAL HOUSES



CONVENTIONAL HOUSES • 12, 14 and 16 m span



CONVENTIONAL HOUSES

- Metal structure (no wooden parts)



CONVENTIONAL HOUSES

- Hot dip galvanised



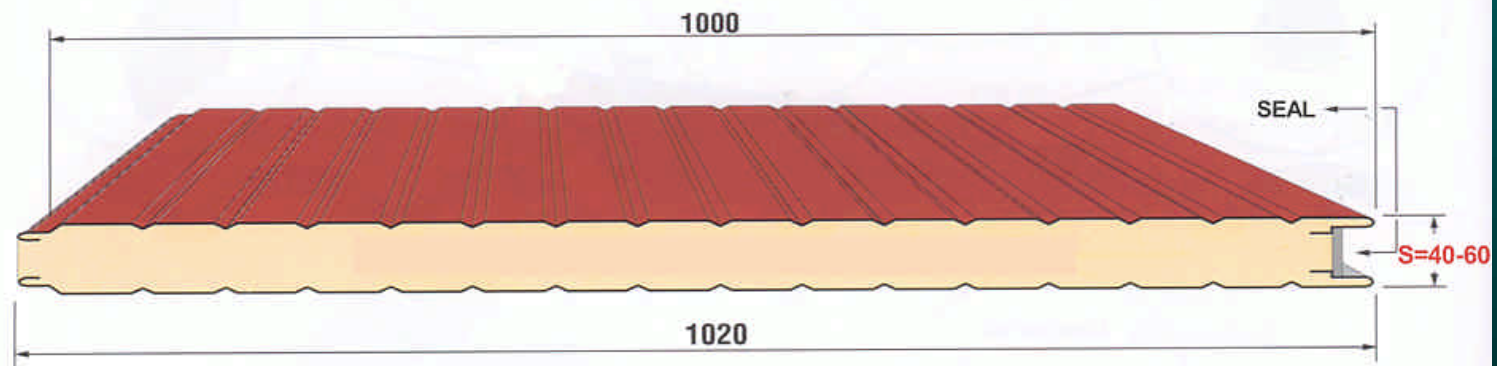
CONVENTIONAL HOUSES

- “I” shaped columns and trusses



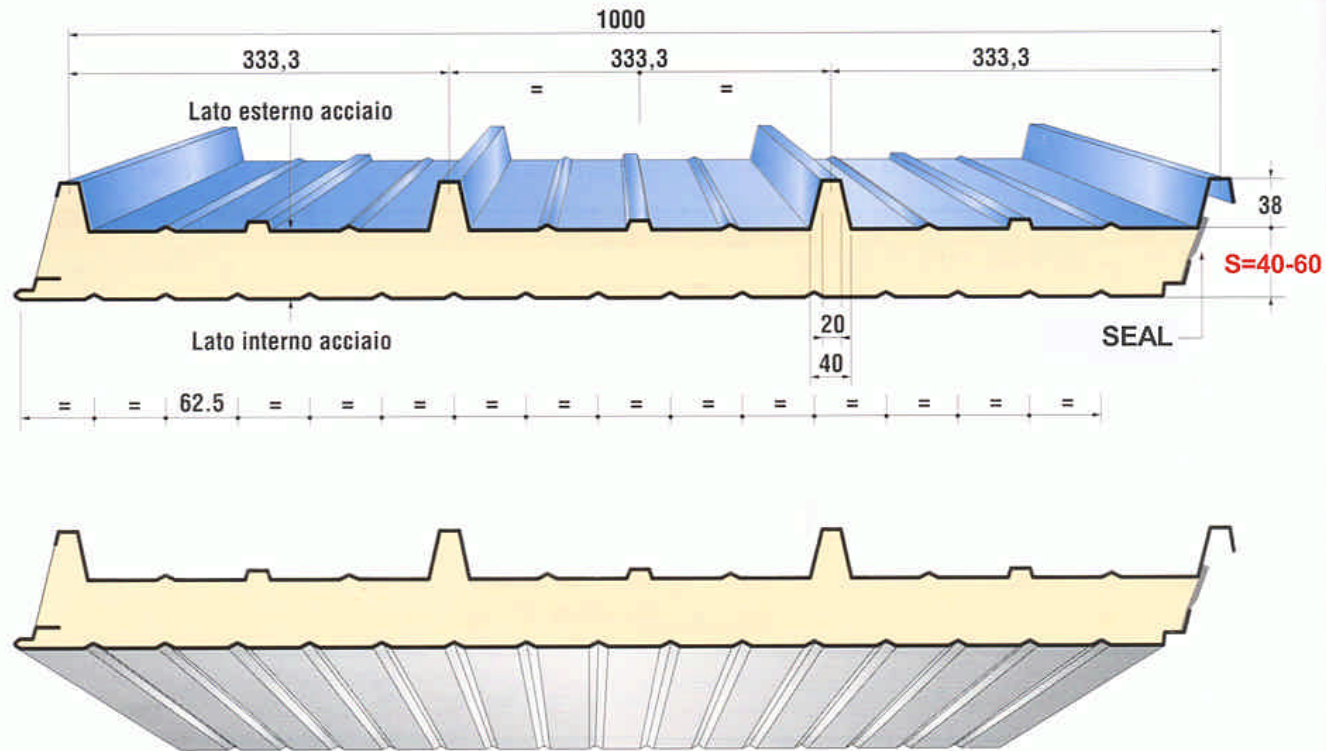
CONVENTIONAL HOUSES

- Walls in sandwich panels



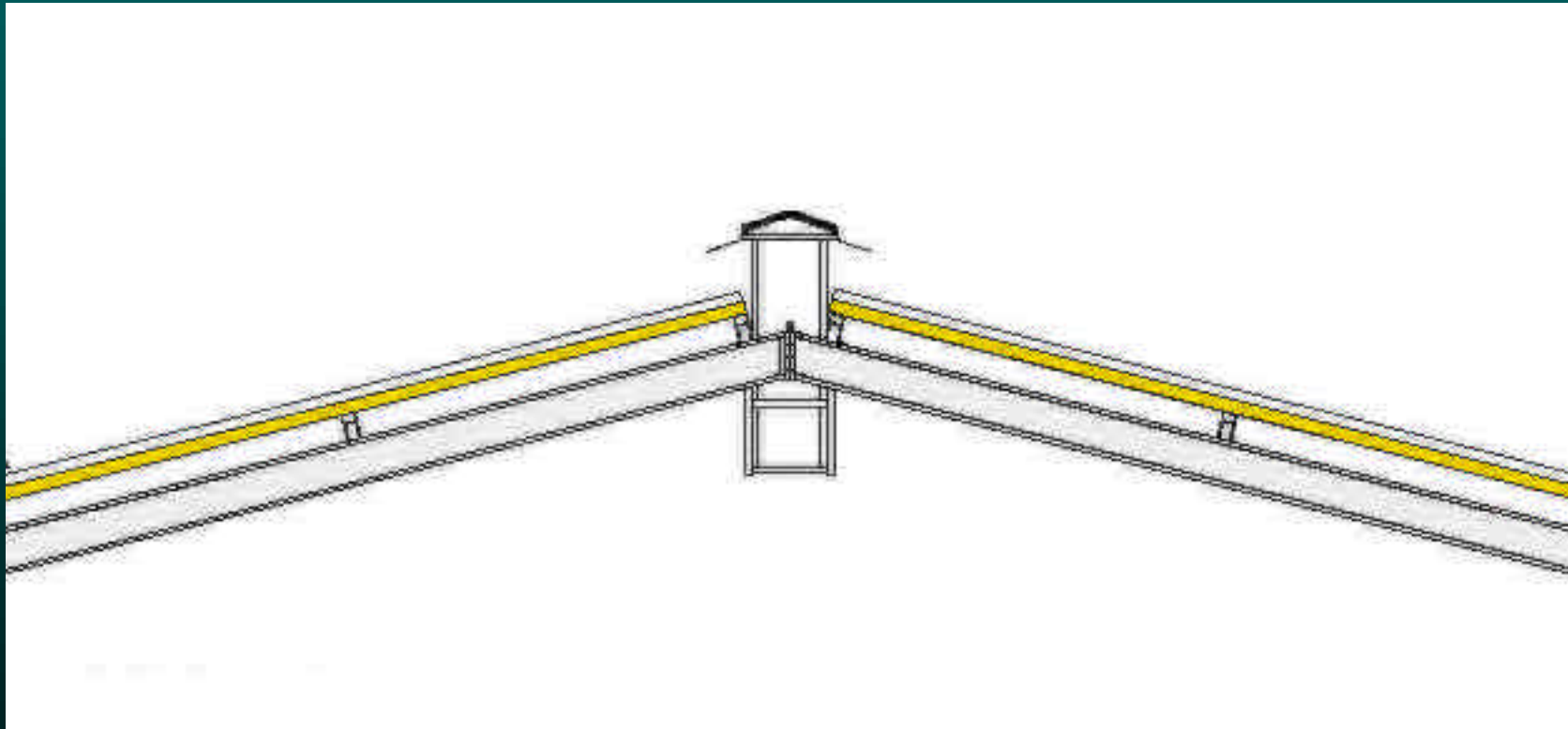
CONVENTIONAL HOUSES

- Roof in sandwich panels



CONVENTIONAL HOUSES

- Mobile roof



CONVENTIONAL HOUSES

- Centrally controlled curtains or windows

